

#### Features

- Single-speed whirlpool offers performance and value, with 6 fully adjustable jets.
- Hydromassage flow and direction can be controlled at each jet.
- Built-in heater.
- Oval basin creates a spacious bathing experience.
- Integral lumbar support and armrests offer extra comfort while bathing.
- Multiple pump location options give you more choices for installation and access.

#### Material

- Acrylic.

#### Hydrotherapy

- Whirlpool.

#### Installation

- Reversible drain.
- Undermount.
- Drop-in or undermount.

#### Recommended Products/Accessories

K-11677 Bath Drain  
K-1491 Bath/Whirlpool Pillow  
K-577 Under-Mount Installation Kit  
K-24916 Wireless Music Kit  
K-1601 Bath/whirlpool footstop, removable  
K-7213 27" Cable Bath Drain  
K-7214 27" Cable Bath Drain  
K-7259 Brass toe tap bath drain  
K-23726 Drain treatment  
K-23732 Tub & shower cleaner



#### Codes/Standards

ASME A112.19.7/CSA B45.10  
CSA B45.5/IAPMO Z124  
UL 1795  
CSA C22.2 No. 218.2



#### KOHLER® Plastic Baths and Receptors Lifetime Limited Warranty KOHLER® Hydrotherapy Components Five-Year Limited Warranty

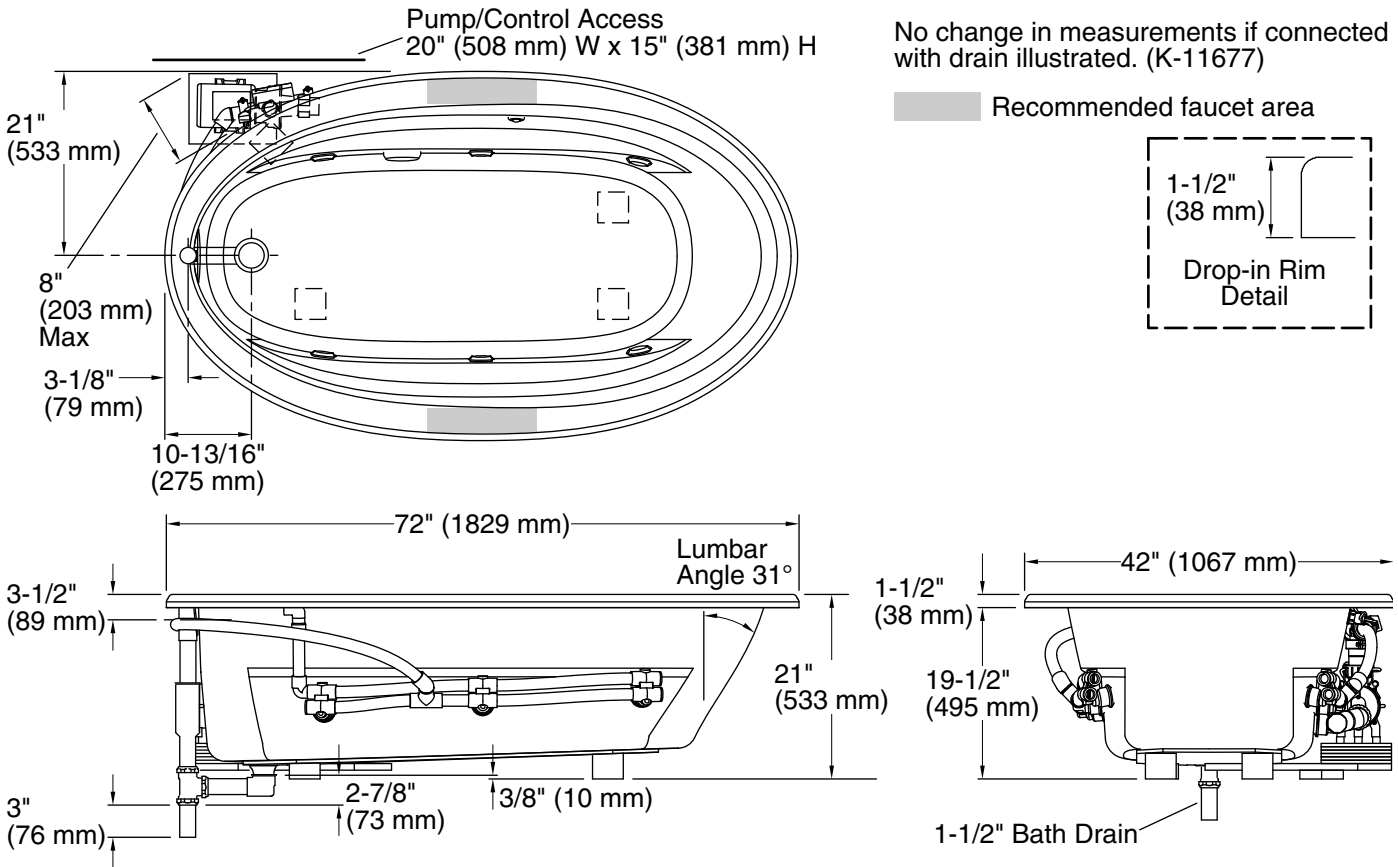
See website for detailed warranty information.

#### Available Colors/Finishes

*Color tiles intended for reference only.*

#### Color Code Description

	0	White
	96	Biscuit



No change in measurements if connected with drain illustrated. (K-11677)

### Required Electrical Service

Two dedicated circuits required, protected with Class A Ground-Fault Circuit-Interrupter (GFCI). Outside North America, this device may be known as a Residual Current Device (RCD).

Pump: 120 V, 15 A, 60 Hz  
Heater: 120 V, 15 A, 60 Hz

### Technical Information

All product dimensions are nominal.

Installation: Drop-in  
Drain location: End  
Basin area, bottom: 55-1/4" x 23-1/2" (1403 mm x 597 mm)  
Basin area, top: 64-1/2" x 32" (1638 mm x 813 mm)  
Weight: 112 lbs (50.8 kg)  
Minimum floor load: 36 lbs/ft<sup>2</sup> (175.8 kg/m<sup>2</sup>)  
Water depth: 15" (381 mm)  
Water capacity: 75 gal (283.9 L)  
Template: Drop-in, 1042557-7, required, included  
Electrical component rating: Pump: 120 V, 7.5 A, 60 Hz  
Heater: 120 V, 12.5 A, 60 Hz, 1500 W  
Pump speed: Single

### Notes

Measure your actual product for rough-in details.

Install this product according to the installation instructions.

The hot water supply should be 70% of the capacity of the bath or greater. Installations will vary.

The suction line extends 1" (25 mm) beyond the edge of the rim. The pump base extends 1-1/8" (29 mm) beyond the edge of the rim. Modify the framing as needed.